



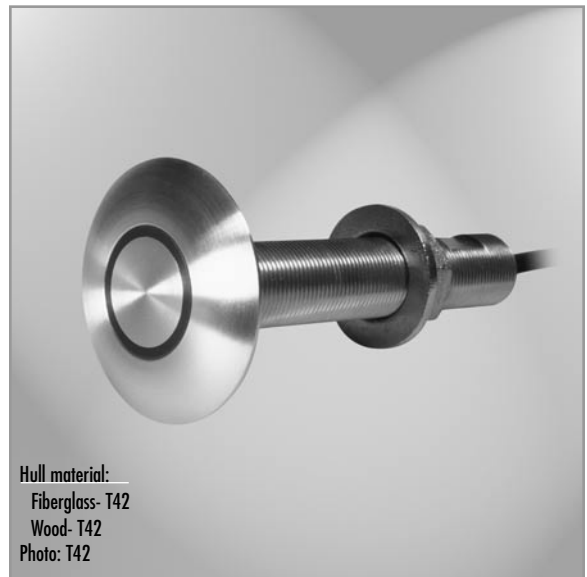
Temperature Only

T25 • T42 • T80

Airmar offers three styles of stand alone temperature sensors to meet most temperature sensing needs.

Features:

- T25 has very fast thermal response time in air and is well suited for sensing temperature on equipment
- T42 bronze thru-hull senses temperature in water and can be mounted in fiberglass or wood hulls
- T80 stainless steel model can be mounted on a vessels transom to measure water temperature or can be used in live wells or engine rooms
- All units have thermistor with 10,000 ohm nominal resistance at 25° C



Hull material: _____
Fiberglass- T42
Wood- T42
Photo: T42

Thermal Constant:	T42: 15 seconds
Temperature Accuracy:	±0.2°
Unicurve® Type Thermistor:	10,000 ohms
Weight:	T25: 0.2 kg (0.5 lb.) T42: 0.6 kg (1.3 lb.) T80: 0.2 kg (0.5 lb.)
Hole Diameter for Installation:	T42: 22mm (7/8")

Performance:

Temp Range	0° – 30° C			
	(32° – 86° F)			

Also see:
Smart™ T42



Temperature Only

T25 • T42 • T80

Applications:

- T25- Air temperature sensing, temperature of equipment
- T42- Water temperature, thru-hull mounting on planing hull powerboats, and cruising sailboats
- T80- Water temperature measurement off transom of planing hull powerboats, cruising sailboats
- T80- Live well, engine room temperature sensing

Notes:

- Resistance vs. Temperature table is provided in the Reference section of this catalog

Options:



- T80 with special cable can be used as second temperature option with Smart™ sensors
- T42 is available as high performance Smart™ sensor with embedded signal processing in NMEA, CAN or custom protocols

Parts & Accessories:



Hull Nut:
T42- 02-031-3

