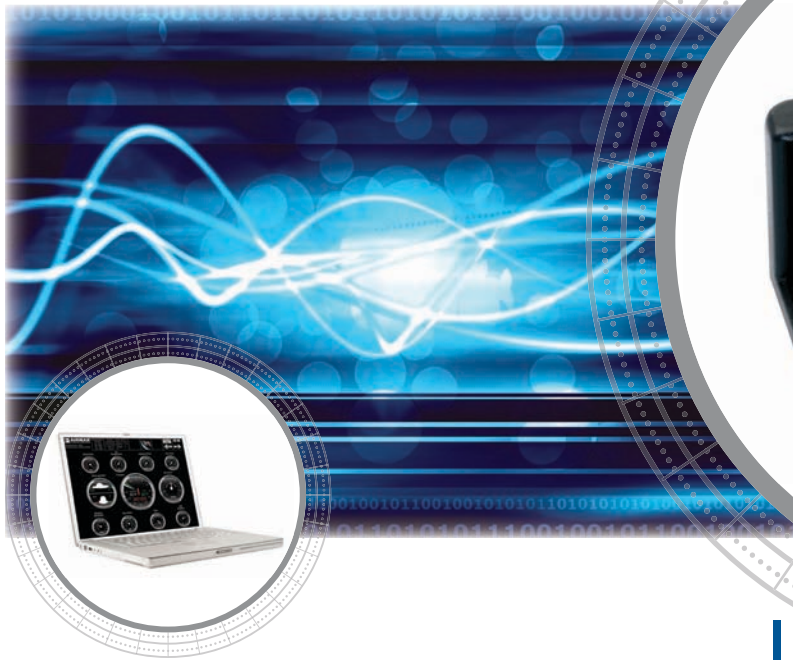
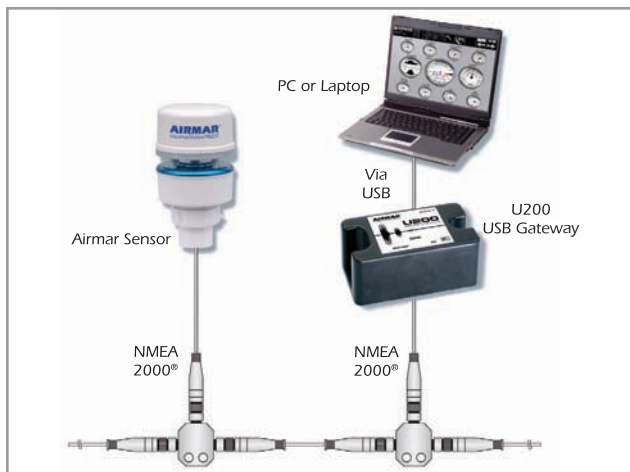


U200



Plug-and-Play Interface

The U200 Gateway provides the ability to interface with NMEA 2000® devices on a NMEA 2000 bus using a Personal Computer (PC). A simple plug-and-play installation allows GPS data, Speed Over Ground (SOG), Course Over Ground (COG), vessel heading, depth, speed, water temperature, weather data and more to be displayed on your PC. Airmar's WeatherCaster PC software comes standard with the U200 and acts as both a user interface to display the network data and also as a network analyzer tool. All NMEA 2000 network activity on the bus can be viewed and logged as needed.



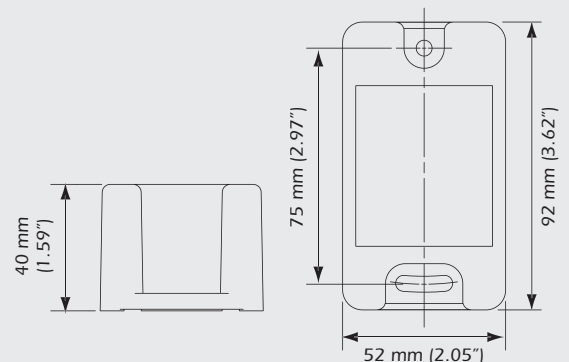
USB Gateway

NMEA 2000® to USB

Features

- Converts listed NMEA 2000® PGNs to USB format
- Plug-and-play connectivity from a NMEA 2000 network backbone to a PC
- For Airmar NMEA 2000 Sensors and other Certified NMEA 2000 Sensors: GPS Receivers, Heading Sensors, and Smart™, Depth, Speed, and Temperature Sensors
- Airmar WeatherCaster™ Software included
- Baud Rate: 115,000
- Voltage: Powered by USB connection (5 V)

DIMENSIONS



Sensing Technology



Technical Information

DATA OUTPUT PROTOCOL

NMEA 2000® Supported PGNs

059392.....	ISO Acknowledgment
059904.....	ISO Request
060160.....	ISO Transport Protocol, Data Transfer
060416.....	Transport Protocol, Connection Management
060928.....	ISO Address Claim
065240.....	ISO Commanded Address
126208.....	Acknowledge Group Function
126208.....	NMEA Complex Command Group Function
126464.....	PGN List—Transmit and Receive PGNs Group
126992.....	System Time
126996.....	Product Information
126998.....	Configuration Information
127250.....	Vessel Heading
127251.....	Rate of Turn
127257.....	Attitude
127258.....	Magnetic Variation
128259.....	Speed
128267.....	Water Depth
128275.....	Distance Log
129025.....	Position, Rapid Update
129026.....	COG and SOG, Rapid Update
129029.....	GPS Position Data
129033.....	Time and Date
129044.....	Datum
129538.....	GNSS Control Status
129539.....	GNSS DOPs
129540.....	GNSS Sats in View
129541.....	GPS Almanac Data
130306.....	Wind Data
130310.....	Environmental Parameters
130311.....	Environmental Parameters
130323.....	Meteorological Station Data

WEATHERCASTER™ SOFTWARE

```

NMEA 2000® Run
List by NMEA 2000® Class/Function Code
List by Manufacturer
List by WeatherCaster Relevance
Weather
  Airmar PB200 WeatherStation S/N RTV2
    Information
      Product Information
        Product Code: 8827
      Model
        Model ID: PB200 WeatherStation
        Version: 44-802-2-01,HW5,OEMO
        Serial Code: RTV2
        Software Version: 1.009,1.036,1.001,1.029,000
      NMEA 2000®
        Database: 1.210
        Certification: B
        Load Equivalency: 13
      Configuration Information
        Installation Description 1:
        Installation Description 2:
        Manufacturer: Airmar 1-603-673-9570 www.airmar.com
      Address Claim Information
        Unique (ISO Identity) Number: 200 (0x0000c8)
        Manufacturer Code: 135
        Instance: 0x00
        Device Function: 180
        Device Class: 80
        System Instance: 0
        Industry Group: 4
    PGN List - Received PGNs
      059392
      059904
      060928
      126208
      126259
    PGN List - Transmit PGNs
      059392
      060928
      126208
      126464
      126992: 99000ms 00F01023 A9 00 00 00 00 FF FF FF
      126996
      126998
      127250: 93ms 09F11223 7D 5B 3D 00 00 08 F5 FD
      127251: 94ms 09F11323 83 C1 FD 75 FF 7F F0 03
      127257: 26000ms 00F11923 10 00 00 00 00 FF FF FF
      127258: 2000ms 1DF11A23 1A 9A 56 FE FF FF FF
      129025
      129026: 10000ms 09F80223 A0 5B 3D 00 00 08 F5 FD
      129029: 1000ms 00F80523 68 4D 38 E0 1E FB 23 00 A0 01 E2
      129033: 17984ms 00F80923 40 38 80 56 F3 23 FF 7F
      129044: 10000ms 19F81423 57 38 34 FF 00 00 00 00 00 00
      129538
      129539: 57000ms 19FA0323 48 5B 3D 00 00 08 F5 FD
      129540: 1000ms 19FA0423 68 FF 0A 01 16 22 7E 43 00 00 FF
      130306: 234ms 09FD0223 A7 29 00 4F 5F F8 FF FF
      130310
      130311: 484ms 15FD0723 D3 C1 FD 75 FF 7F F0 03
      130323: 1000ms 19FD1323 F0 4D 38 E0 1E FB 23 90 60 88 19
  
```

Advanced Setup

Sensor Hardware | Communications/Diagnostics | Names | Update Flash

Select Interface

Using NMEA 2000® (ex: PB200)

Using NMEA 0183 (ex: PB150)

Select NMEA 2000® Device

COM07 U200 NMEA 2000 to USB Gateway S/N: 99695 Refresh

NMEA 2000® Diagnostic View NMEA 2000® Device View

Select Sources

Altitude:	PB200 WeatherStation	P/N: 44-802-2-01	S/N: 5066906	-
Compass:	PB200 WeatherStation	P/N: 44-802-2-01	S/N: 5066906	-
GPS:	G2183	P/N: 44-710-1-01	S/N: 5066966	-
Weather:	PB200 WeatherStation	P/N: 44-802-2-01	S/N: 5066906	- Refresh Sensors
Water Depth:	DST2000	P/N: D235-S1-TS-A-02/06	S/N: ID: 50669	-
Water Speed:	DST2000	P/N: D235-S1-TS-A-02/06	S/N: ID: 50669	-
Water Temp:	DST2000	P/N: D235-S1-TS-A-02/06	S/N: ID: 50669	-
Wind:	PB200 WeatherStation	P/N: 44-802-2-01	S/N: 5066906	-

Log Raw Data to C:\Documents and Settings\irobb\My Documents\PB200 Logs Select Path

Cancel Apply Close