

# R299



## Frequency Agility

Airmar's new Broadband R299 is radically different. Why? Because it operates at ANY frequency between **33 kHz to 60 kHz** and **130 kHz to 210 kHz**. Adjusting the frequency allows you to change the R299's beamwidth and depth capabilities. For example, if you are bottom fishing in 61 m (200') of water, the narrow high-frequency beam will display extreme bottom detail and fish holding tight to structure. If you are tuna or marlin fishing in deep blue water, the wider low-frequency beam will not only give deep-water bottom detail, but more importantly, show you more of what is around your vessel—including bait which may attract game fish.

## Tunable Fishfinding

Because the R299 can operate over a broad high and low frequency range, next generation fishfinders can be made "tunable", so fishermen can "dial-in" the best frequency for the target fish species or conditions.

## In-Hull 2 - 3 kW HD Digital

### Fishing Applications

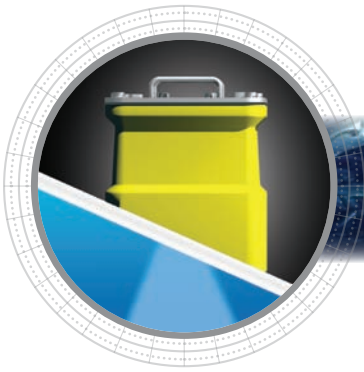
- Offshore and long-range blue-water fishing
- Commercial fishing
- Deep-water canyon and sea-mount tracking

### Features

- The best in-hull performer in Airmar's professional line of fishfinder transducers for vessels 12 m (40') and up
- Only 3 kW in-hull transducer on the market that can operate at either 38 kHz or 50 kHz
- Depth only
- Super low ringing for accurate discrimination between closely spaced targets
- Recommended for solid fiberglass hulls
- Non-toxic anti-freeze (propylene glycol) is used to fill the tank
- Fiberglass resin is used to adhere tank to the hull





*Sensing Technology*



## Technical Information

### 33-60 kHz-A / 130-210 kHz-BRIq

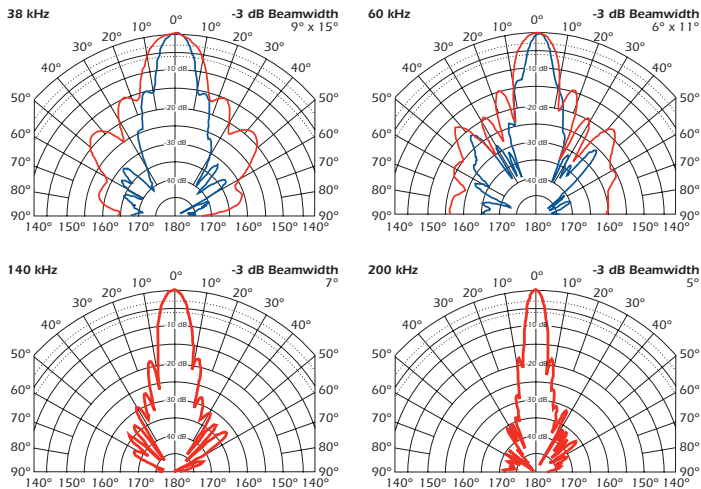
<b>Number of Elements and Configuration</b>		
<b>Beamwidth (@ -3 dB)</b>	Adjustable	Adjustable
<b>RMS Power (W)</b>	3 kW	2 kW
<b>TVR</b>	171 dB @ 50 kHz	172 dB @ 200 kHz
<b>RVR</b>	-177 dB @ 50 kHz	-184 dB @ 200 kHz
<b>FOM*</b>	-7 dB @ 50 kHz	-12 dB @ 200 kHz
<b>Q</b>	3 @ 50 kHz	3 @ 200 kHz
<b>Impedance</b>	165 Ω @ 38 kHz	148 Ω @ 50 kHz
	169 Ω @ 140 kHz	208 Ω @ 200 kHz
	250 Ω @ 50 kHz	314 Ω @ 200 kHz

\*Does not calculate losses through the hull.

### MAXIMUM DEPTH RANGE

Low-Frequency	High-Frequency
914 m to 1,372 m (3,000' to 4,500')	235 m to 353 m (800' to 1,200')

### Directivity Pattern



### SPECIFICATIONS

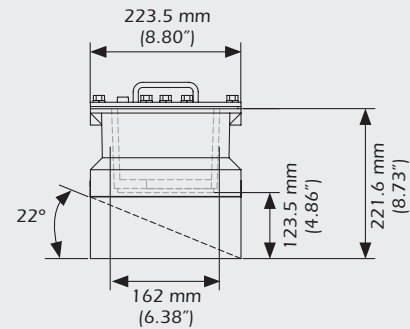
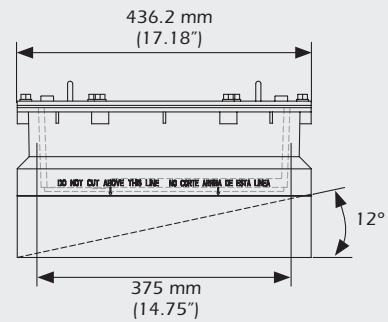
**Weight:** 24.8 kg (54.8 lb)

**Hull Deadrise:** 0° to 22°

**Acoustic Window:** Epoxy/urethane

**All mounting hardware provided, including tank**

### DIMENSIONS



### Figure of Merit

The graphs show that the R299 can run optimally at a wide range of frequencies.

